

## 7 Day Programmable Thermostat

### PSP2270 Up to 2-heat / 2-cool with Wi-Fi and Local API

1 Specifications 2 Installation Instructions and Wiring 3 Wi-Fi Setup  
4 Installer Setup 5 Calibration 6 Factory Defaults 7 Warranty



### WARNING

Follow Installation Instructions carefully. Disconnect Power to the Heater/Air Conditioner before removing the old thermostat and installing the new thermostat.

## 1 Specifications

- Wi-Fi Built In — Compatible with FREE **ProStat+™** Web Portal Services & Mobile App
- Gas/electric or heat pump
- 2 heat, 2 cool multi-stage
- 7-day programmable
- Large, easy to read display
- Night time control of display backlight
- Bi-color LED indicates a heating or cooling demand
- Geofencing for automatic Home and Away settings using the **ProStat+** app location services on your mobile device
- Fahrenheit or Celsius display
- Compatible with condensate overflow warning systems – lockout compressor with message on the display
- Non-volatile memory
- Keypad lock
- California Title 24 compliant
- OpenADR 2.0b Certified with **ProStat+** web portal
- FDD (Equipment Fault Protection) notification
- Local API for 3rd party monitor and control
- Compatible with wireless sensors
- Configurator app for easy set up
- Energy Star Certified

## 2 Installation Instructions & Wiring

### 1 Remove and Replace the old thermostat

To install the thermostat properly, please follow these step by step instructions. If you are unsure about any of these steps, call a qualified technician for assistance.

- Installation tools: Small flat blade screwdriver, Phillips screwdriver, wire cutters and wire strippers.
- Make sure your Heater/Air Conditioner is working properly before beginning installation of the thermostat.
- Carefully unpack the thermostat. Save the screws, any brackets, and instructions.
- Turn off the power to the Heating/Air Conditioning system at the main fuse panel. Most residential systems have a separate breaker or switch for disconnecting power to the furnace.
- Remove the cover of the old thermostat. If it does not come off easily, check for screws.
- Loosen the screws holding the thermostat base or subbase to the wall and lift away.
- If you have a smart phone handy, take a photo of the wiring for future reference.
- Disconnect the wires from the old thermostat. Tape the ends of the wires as you disconnect them, and mark them with the letter of the terminal for easy reconnection to the new thermostat.
- Keep the old thermostat for reference purposes, until your new thermostat is functioning properly.

## 2 Wire Connections

If the terminal designations on your old thermostat do not match those on the new thermostat, **refer to the chart below or the wiring diagrams that follow.**

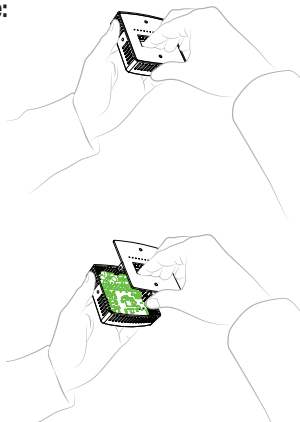
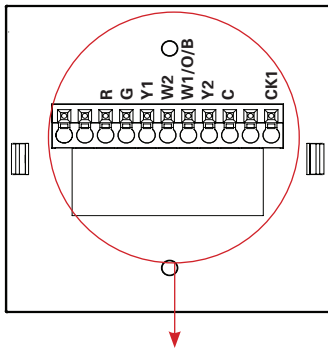
Wire from the old thermostat terminal marked	Function	Install on the new thermostat connector marked
G or F	Fan	G
Y1, Y	Cooling	Y1
W1, W	Heating	W1/O/B
Rh, R, M, Vr, A	Power	R
C	Common	C
O/B	Rev. Valve	W1/O/B*
W2	2nd Stage Heat	W2
Ck1	Dry Contact Switch	CK
CKGND	Dry Contact Switch	R

\* O/B is used if your system is a Heat Pump.

### 3 The ProStat+ Mini Thermostat Backplate

#### To remove the thermostat backplate:

Gently separate the display from the base by pulling from the center.

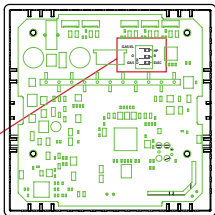
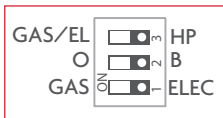


R	24 VAC return	Y2	2nd stage compressor relay
G	Fan relay	C	24 VAC common
W1/O/B	1st stage heat circuit	CK1	Dry Contact
W2	2nd stage heat circuit		
Y1	1st stage compressor relay		

**IMPORTANT:** This thermostat requires both R (24 VAC Return) and C (24 VAC Common) wires be connected to the backplate terminals to operate properly.

## 4 Check Dip Switch

Ensure which switch is correct for your system. Dip switches are located on the back of the thermostat.



This switch (GAS or ELEC) controls how the thermostat will control the Fan (G) terminal in heating mode. When **GAS** is chosen, the thermostat will not energize the Fan (G) terminal in heating. When **ELEC** is chosen the thermostat will energize the fan in heating.



### For Heat Pump Only

When the **GAS/EL** or **HP** dip switch is configured for **HP**, this dip switch (O or B) must be set to control the appropriate reversing valve. If **O** is chosen, the **W1/O/B** terminal will energize in cooling. If **B** is chosen, the **W1/O/B** terminal will energize in heating.

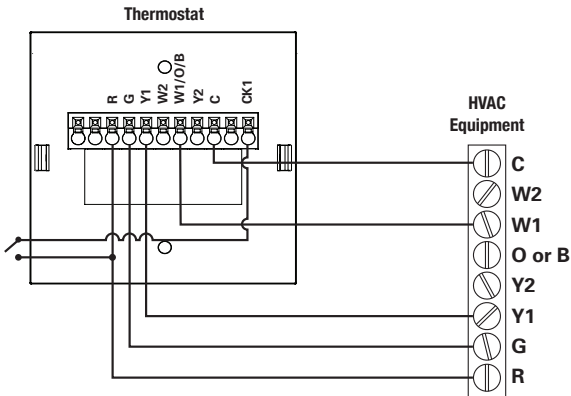
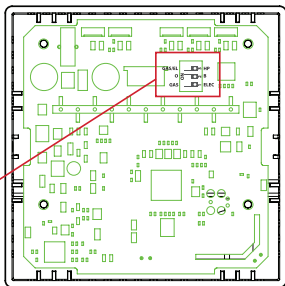
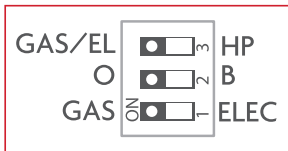


This dip switch configures the thermostat to control a conventional gas/electric system or a heat pump. If your system is anything other than a heat pump, leave this switch set for **GAS/EL**.

## 5 Wiring

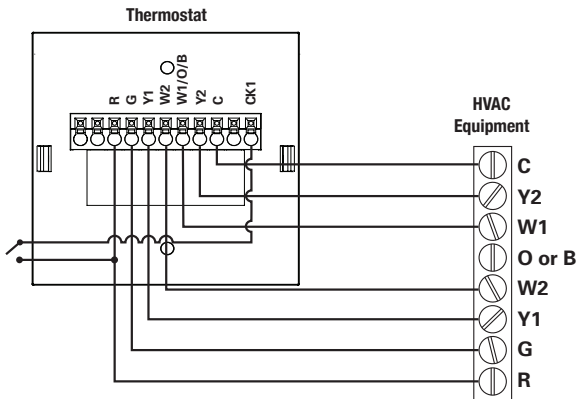
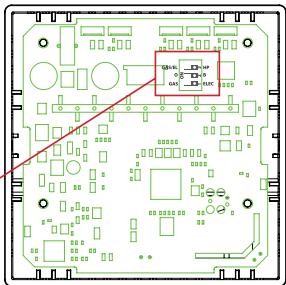
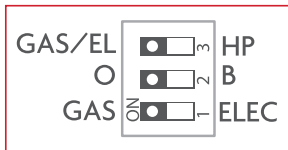
### 1 Stage Heat, 1 stage Cool

#### Dip Switch Settings



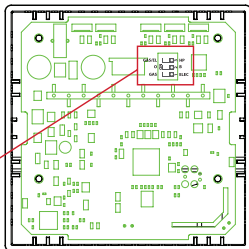
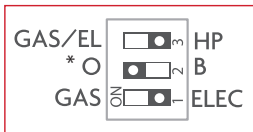
## 2 Stage Heat, 2 Stage Cool

### Dip Switch Settings

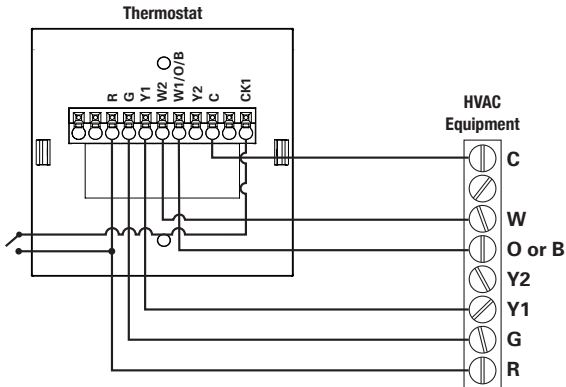


# Single Stage Heat Pump with AUX Heat

## Dip Switch Settings



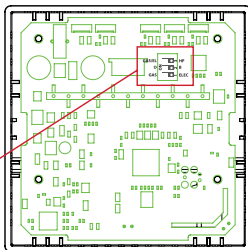
\*Reversing valve choice, O or B, is dependant on the type of valve installed in the heat pump.



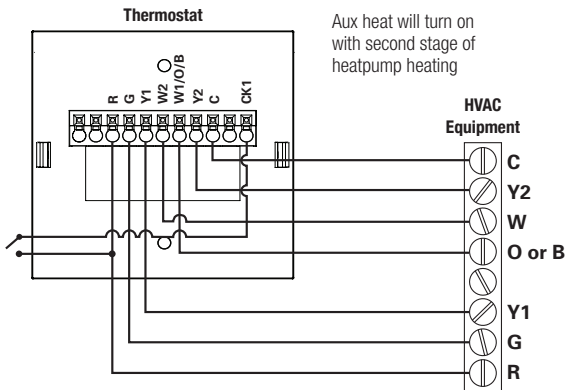


## Dual Stage Heat Pump with AUX Heat

### Dip Switch Settings

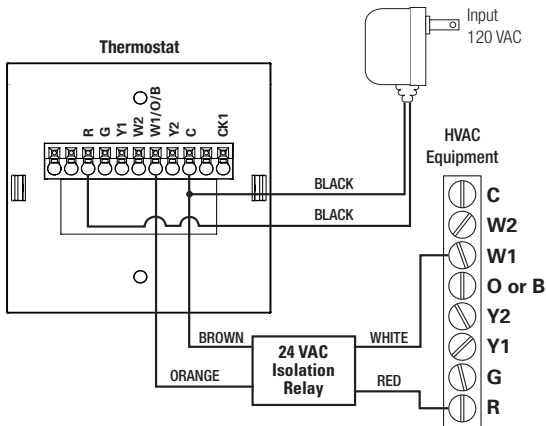
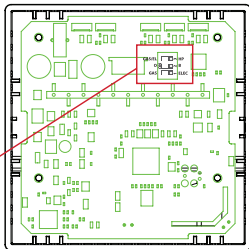
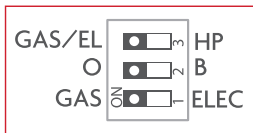


\*Reversing valve choice, O or B, is dependant on the type of valve installed in the heat pump.



# Heat Only - with a 2-Wire Kit - PSPAC-2W

## Dip Switch Settings



## 3 Connect to Wi-Fi Overview

### Connect to Wi-Fi Overview

At minimum the first 3 tasks below must be completed to access your thermostat remotely from a browser. The 4th step is optional (highly recommended) and only is needed to access your thermostat(s) from a mobile device.

#### These steps are:

1. Successful connection to a local Wi-Fi Access Point with internet access.
2. Confirm receipt of a verification email from the **ProStat+** Web Portal (this only occurs once during the account setup).
3. A 6-digit code obtained from the thermostat is successfully entered into a **Prostat+** Web Portal account.
4. Successfully download and install the **ProStat+** app on your mobile device(s).  
Your thermostat operates on the 2.4 Ghz, Wi-Fi b/g/n band.

### Wi-Fi Symbol Legend



When the only the 'dot' of the Wi-Fi symbol appears = not connected to an access point.



When the full Wi-Fi symbol appears = connected to an access point.



When the full Wi-Fi symbol appears and the 'dot' of the symbol is flashing = connected to the **ProStat+** Web Portal.

## 1 Wi-Fi Setup

The ProStat+ Configurator App is needed to configure the Wi-Fi Settings of this thermostat

- **Download the ProStat+ Configurator App**

from your mobile device's App Store.



- **Open the Configurator App**

- Choose the **ProStat+** Mini thermostat picture.
- Press and hold the **FAN** button of the thermostat for approximately 5 seconds to enter Wi-Fi setup screens.
- Press the cooler button to setup Wi-Fi.
- Follow the instructions that appear on the **ProStat+** Configurator App.

## 2 Connect to ProStat+ Web Portal

Although there is more than one way to create a **ProStat+** account, the steps below illustrate account creation from a browser. To create an account a thermostat must be joined to the account.

If the thermostat is connected to the local Wi-Fi Access Point, but you do not have an account, you may create an account and join the thermostat to the account by doing the following:

1. Open your browser to: <http://prostat.skyportcloud.com>
2. Select "Create account now"

 **Create Account Now**

3. Follow on screen instructions to create an account and add a thermostat to the **ProStat+** account.

### 3 Join a Thermostat to the ProStat+ Web Portal

If the thermostat is connected to the local Wi-Fi access point but not yet joined to an existing **ProStat+** account, you may join the thermostat to the account by doing the following:

1. Log in to your **ProStat+** account.
2. Select the “Location” you want to add a thermostat into or select the “Add a Location” link in the upper left-hand corner.
3. Select the “Add a New Thermostat” box. A screen will ‘pop-up’ asking for a six digit code.
4. Press the FAN button on the thermostat for 5 seconds.
5. Press the Warmer button on the thermostat.
6. A six digit code will appear on the thermostat’s display.
7. Enter the six digit code into your **ProStat+** account.

### 4 Wi-Fi Status Screens

Press and hold the FAN button on the thermostat for 5 seconds. When “Wi-Fi Setup” appears on the display, press the MODE button. Pressing the up or down button will display the following information:

- AP Name
- AP Signal Strength
- IP Address
- **ProStat+** Web Portal Status
- API Status

# 4 Installer Setup

## Setup Step Table

See User Manual for steps 1 - 6

FD = Factory  
Default Setting

Step#	Description	Pg#	Range	FD
1	Set Clock		12A - 12A	
2	Set Day of Week		Monday - Sunday	
3	Backlight		On, Off, 6pm-6am	Off
4	Night Dimmer		On/Off	Off
5	Night Dimmer Start Time		12A - 12A	8:00PM
6	Night Dimmer Stop Time		12A - 12A	6:00AM
7	Current Service Filter Runtime Hours		0-1999 Hours	0
8	Current Service Filter Calendar Days		0-720 Hours	0
9	Set Service Filter Runtime Hours		0-1999 Hours	0
10	Set Service Filter Calendar Days		0-720 Days	0
11	Setpoint Limits		On, Off	Off
12	Maximum Heat Setpoint Limit		35 - 99 Degrees	74
13	Minimum Cool Setpoint Limit		35 - 99 Degrees	70
14	Cycles Per Hour		No Limit, 2, 3, 4, 5, 6	6
15	Compressor Minimum Off Minutes		0, 3, 5 Minutes	5
16	Min. Heat/Cool Setpoint Difference		0 - 6 Degrees	2
17	1st Stage Deadband		1 - 6 Degrees	2
18	2nd Stage Deadband		0 - 10 Degrees	2
19	Minutes Between 1st and 2nd Stage		0 - 60 Minutes	2
20	2nd Stage Turnoff Point		Deadband, Setpoint	Deadband
21	Fan Off Delay		0, 120 Seconds	0
22	F/C		Fahrenheit (F), Celsius (C)	F
23	Comfort Recovery		On, Off	Off
24	Dry Contact Polarity		Open, Closed	Open
25	Dry Contact Use		Condensate Pan, Vacation, FDD	Vacation
26	ProStat+ Web Portal		On, Off	On
27	Local API		On, Off	Off
28	Available Modes		Heat, Cool, Heat or Cool, Auto	Auto
29	Show Clock		On, Off	On

**Table for button presses  
that are required for  
entering various menus**

### TO ENTER MENUS

Setup Steps  
Time Schedule  
Emergency Heat  
Lockout Buttons  
Calibration  
Wireless Setup

### BUTTON PRESS

MODE & FAN for 5 seconds  
MODE & Up for 2 seconds  
Up & FAN for 2 seconds  
MODE, Up & Down for 2 seconds  
MODE & Down for 2 seconds, then MODE  
FAN for 5 Seconds

## How to Change Settings in the Setup Screens

To enter the setup screens, press the **MODE** button, and simultaneously press **FAN** button for 5 seconds. Release the buttons when you see "Setup" on the display. Use the **WARMER** or **COOLER** buttons to adjust the value of your selection. Press **MODE** to advance to the next setup step. Press **MODE** and **FAN** together again to leave the setup screens.

---

These setup steps allow the user to monitor **FAN** runtimes and program service alerts. Service alerts appear on the display. If the thermostat is joined to a **ProStat+** account, then the user may be alerted by **ProStat+** when to change the filter.

### Service Filter Runtime (Setup Steps 7-10)

**Current Service Filter Runtime Hours** (Setup Step 7) - This counter keeps track of the number of hours of fan runtime in the Heating mode, Cooling mode, and in stand alone Fan operation. Press **FAN** to reset.

**Current Service Filter Calendar Days** (Setup Step 8) - This counter displays the total number of calendar days that have elapsed since the counter was reset to help the user track Fan runtime. Press **FAN** to reset.

**Set Service Filter Runtime Hours** (Setup Step 9) - This timer allows the user to specify the number of hours the fan will run before the "Replace Filter" alert will be displayed. Press **COOLER** continuously until **OFF** is displayed to disable this alert.

**Set Service Filter Calendar Days** (Setup Step 10) - This timer allows the user to specify the number of calendar days that will elapse before the "Replace Filter" alert will be displayed. Press **COOLER** continuously until **OFF** is displayed to disable this feature.

---

### Setpoint Limits (Setup Steps 11-13)

When this feature is set to **ON**, the Heat and Cool Setpoints may be restricted to preset levels in **Setup Steps 12** and **13**.

**Maximum Heat Setpoint** (Setup Step 12)

**Minimum Cool Setpoint** (Setup Step 13)

**FAN**



**Press and hold FAN to clear reset runtime.**

**Runtime hours or days appear in the clock display.**

**Cycles Per Hour** (Setup Step 14) - The Cycles Per Hour setting may limit the number of times per hour your HVAC unit may energize. For example, at a setting of 6 cycles per hour the HVAC unit will only be allowed to energize once every 10 minutes. The Cycles Per Hour limit may be overridden and reset by pressing the WARMER or COOLER buttons on the thermostat. Settings are No Limit, 2, 3, 4, 5, or 6 cycles per hour.

**Compressor Minimum Off Minutes** (Setup Step 15) - This feature allows the user to set a minimum off time for the compressor. Settings are 0 to 5 mins.

**Minimum Heat/Cool Setpoint Difference** (Setup Step 16) - This feature allows the user to set the minimum gap between Heat and Cool setpoints in AUTO mode. Select from 0 to 6 degrees.

---

## **Deadband Settings** (Setup Steps 17-20)

The Deadband is the number of degrees or minutes that the thermostat waits before it initiates the stages of heating or cooling.

**1st Stage Deadband** (Setup Step 17) - Specifies the temperature difference between the room temperature and the desired setpoint before the first stage of heating or cooling is allowed to turn on (1 - 6 degrees). For example, if the heat setpoint is **68°** and the 1st Stage deadband is set to 2 degrees, the room temperature will need to reach **66°** before the heat turns on.

**2nd Stage Deadband** (Setup Step 18) - Specifies the additional temperature difference after the first stage turns on before the second stage is activated (0 - 10 degrees).

**Minutes Between 1st and 2nd Stage** (Setup Step 19) - Specifies the minimum time (in minutes) after the first stage turns on before the second stage can turn on (0 - 60 minutes).



**Second Stage Turnoff Point** (Setup Step 20) - Specifies whether second stage will turn off at first stage deadband or remain on until the room temperature demand is satisfied. Choose between Deadband or Setpoint.

**Fan Off Delay in Seconds** (Setup Step 21) - This feature allows the user to increase the cooling or electric strip heating efficiency of the system. The thermostat may be programmed to continue running the fan after a call for cooling or electric strip heating has been satisfied. This delay can be set for 0, 30, 60, 90, or 120 seconds. If set to 0, the fan will not run after a call for cooling or electric strip heating has been satisfied.

**Fahrenheit or Celsius** (Setup Step 22) - This feature allows the thermostat to display temperature in Fahrenheit or Celsius.

**Comfort Recovery** (Setup Step 23) - With Comfort Recovery on, the thermostat will attempt to reach the Morning setpoint temperature at the exact time programmed into the thermostat. Comfort Recovery, only works when the thermostat enters the Morning period from the Night Period. For example, if the Night Period is set for 11pm at 65°F heating and 85°F cooling, and the Morning Period is set for 6am at 72°F heating and 75°F cooling, the thermostat will turn the system on before 6am in an effort to bring the temperature to its correct setting at exactly 6am. The thermostat learns from experience how early to turn on, so please allow 4-8 days after a program change or after initial installation to give Comfort Recovery time to adjust. If used with a heat pump, electric strip heat will be disabled while Comfort Recovery is active.

## Dry Contact Operation (Setup Steps 24-25)

### Dry Contact Polarity (Setup Step 24)

**Open (Normally Open)** - The dry contact is open until the connected device closes the circuit.



'Idle'



'Active'

**Closed (Normally Closed)** - The dry contact is closed until the connected device opens the circuit.



'Idle'



'Active'

### Dry Contact Use (Setup Step 25)

**Condensate Pan** - If selected when the Dry Contact is active, the thermostat will lockout the compressor terminal(s) and "CONDENSATE PAN" will appear on the display.

**Vacation** - If Vacation is selected when the dry contact is active, the thermostat will be forced into AWAY/ Unoccupied settings.

**FDD** - If FDD is selected when the dry contact is active, "EQUIP FAULT" will appear on the display.

---

**ProStat+ Web Portal** (Setup Step 26) - If set to ON, the thermostat may communicate and receive data from ProStat+.

**Local API** (Setup Step 27) - Turning on the local API allows 3rd party software to interface with the thermostat such as a home automation system.

**NOTE: It is permissible to enable both the ProStat+ Web Portal and the local API at the same time.**


---


## Display Options

**Available Modes** (Setup Step 28) - This setup step may restrict the use of this thermostat to: Heat only, or Cool only, or Heat and Cool, or Auto changeover operation.

**Show Clock** (Setup Step 29) - This setup step will allow for removal of the clock and day of the week from the display. OFF removes the time and day from the display.

## 4 Locking/Unlocking the Keypad

To prevent unauthorized use of the thermostat, the front panel buttons may be disabled. To disable, or 'lock' the keypad, press and hold the **MODE** button. While holding the **MODE** button, press the **WARMER** and **COOLER** buttons together, the  icon will appear on the display.

To **unlock** the keypad, press and hold the **MODE** button. While holding the **MODE** button, press the **WARMER** and **COOLER** buttons together, the  icon will disappear from the display.

## 5 Calibration

Under normal circumstances it will not be necessary to adjust the calibration of the temperature sensor. If calibration is required, please contact a trained HVAC technician to correctly perform the following procedure.

- 1 Place the thermostat in the OFF mode.
- 2 Press and hold the **MODE** button. While holding the **MODE** button, press and hold the **DOWN** button for 5 seconds. All icons will appear on the display
- 3 Press the **MODE** button once. The thermostat temperature will be displayed and may be calibrated using the **UP** or **DOWN** buttons. The calibrated offset from the "raw" temperature reading is displayed in the lower right corner.

Additionally, on this screen you may view the Software Version in the upper left corner.

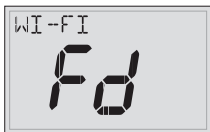
- 4 After calibration is complete, press the **MODE** button **once** to save your changes and return to normal operation.

## 6 Factory Defaults

If, for any reason, you desire to return all the stored settings back to the factory default settings, follow the instructions below.

**WARNING: This will reset all Time Period and Advanced Programming to the default settings. Any information entered prior to this reset will be permanently lost.**

- 1 Place the thermostat in the **OFF** mode.
- 2 Press and hold the **MODE** button. While holding the **MODE** button, press and hold the **DOWN** button for 5 seconds. All icons will appear on the display.
- 3 After all of the icons appear, release the **MODE** and **DOWN** buttons.
- 4 Press and hold the **FAN** button for 2 seconds.  
Fd (Factory default settings) and ALL will appear on the display.
- 5 Select one of the below options using the UP or DOWN buttons. Restore the factory settings to just **Wi-Fi (Wi-Fi)**, or just the thermostat (**STAT**), or both the thermostat and **Wi-Fi (ALL)**.



- 6 Press **FAN** for 2 seconds to restore the factory settings.
- 7 After factory settings are restored, the thermostat display will return to the "all icon" screen.
- 8 To return to normal operation; Press the **MODE** button twice.

## 7 Limited Warranty

### **PSP Series - Thermostat Models: PSP1100, PSP1152, PSP2100, PSP2152, PSP2270, PSP2270C, PSP2111, PSP4272, PSP4273, PSP4271C, PSP4272C, PSP4272RT, PSP4273RT, PSP4272CT, PSP4273CT**

#### **Who Is Providing The Warranty?**

This warranty is provided to you by Goodman Manufacturing Company, L.P. ("Goodman"), which warrants all parts of this thermostat ("control"), as described below.

#### **To What Type Of Installations Does This Warranty Apply?**

This warranty applies to controls installed in owner-occupied residences.

#### **What Units Does This Warranty Not Cover?**

This warranty does not apply to:

- Controls that are ordered over the Internet, by telephone, or by other electronic means unless the unit is installed by a dealer adhering to all applicable federal, state, and local codes, policies, and licensing requirements.
- Controls that are installed outside the United States, its territories, or Canada.
- Controls that are installed in buildings other than owner-occupied residences, such as non-residential buildings or residences not occupied by the owner.

#### **What Problems Does This Warranty Cover?**

This warranty covers defects in materials and workmanship that appear under normal use and maintenance.

#### **Other Warranties**

This warranty is in lieu of all other express warranties. ANY IMPLIED WARRANTIES BY GOODMAN, INCLUDING BUT NOT LIMITED TO WARRANTIES OF MERCHANTABILITY AND FITNESS FOR PARTICULAR PURPOSE, ARE LIMITED TO THE DURATION OF THIS WARRANTY. NO AFFILIATE OF GOODMAN GIVES ANY EXPRESS OR IMPLIED WARRANTY, INCLUDING BUT NOT LIMITED TO WARRANTIES OF MERCHANTABILITY AND FITNESS FOR PARTICULAR PURPOSE, ON THIS UNIT. Some states and provinces do not allow the exclusion of express warranties and/or limitations on how long an implied warranty lasts, so the above exclusion and/or limitation may not apply to you.

For further information about this warranty contact Consumer Affairs at (877) 254-4729 or by mail to 19001 Kernier Rd, Waller, Texas 77484

#### **What Problems Does This Warranty Not Cover?**

Goodman is not responsible for:

- Damage or repairs required as a consequence of faulty installation or application. - Damage as a result of floods, fires, winds, lightning, accidents, corrosive atmosphere, or other conditions beyond Goodman's control.
- Damage or the need for repairs arising from the use of components or accessories not compatible with this control.
- Normal maintenance as described in the installation and operating manual.
- Parts or accessories not supplied or designated by the manufacturer.
- Damage or the need for repairs resulting from any improper use, maintenance, operation, or servicing.
- Damage or failure of the control due to interruption in electrical service or inadequate electrical service.
- Any damage caused by frozen or broken water pipes in the event of equipment failure.
- Changes in the appearance of the control that do not affect its performance.
- Replacement of fuses and replacement or resetting of circuit breakers.

#### **When Does Warranty Coverage Begin?**

Warranty coverage begins on the "installation date." The installation date is one of two dates depending on the circumstances of purchase:

- (1) For controls installed in a newly constructed residence, the installation date is the date the owner purchases the residence from the builder.
- (2) For controls installed in existing residences, the installation date is the date that the control is originally installed.

- (3) For products on which a manufacture date is indicated, if the date the owner purchases the residence from the builder or the date the product is originally installed cannot be verified, the installation date is three months after the manufacture date.
- (4) For products on which a manufacture date is not indicated, if the date the owner purchases the residence from the builder or the date the product is originally installed cannot be verified, the installation date is the date the condensing unit to which the product is paired was originally installed.

#### **How Long Does Warranty Coverage Last?**

The warranty lasts for a period up to 1 YEAR.

The warranty period does not continue after the control is removed from the location where it was originally installed. The replacement of a part under this warranty does not extend the warranty period. In other words, Goodman warrants a replacement control only for the period remaining in the applicable warranty that commenced on the installation date.

#### **What Will Goodman Do To Correct Problems?**

Goodman will furnish a replacement control, without charge for the control only, to replace any control that is found to be defective due to workmanship or materials under normal use and maintenance. Furnishing of the replacement control is Goodman's only responsibility under this warranty and the furnishing of the replacement control is the owner's only remedy.

THE OWNER AGREES THAT THESE REMEDIES ARE THE OWNER'S EXCLUSIVE REMEDIES FOR BREACH OF ALL WARRANTIES, EXPRESS OR IMPLIED.

#### **What Won't Goodman Do To Correct Problems?**

Goodman will not pay for:

- Labor, freight, or any other cost associated with the service, repair, or operation of the control.
- Electricity or fuel costs, or increases in electricity or fuel costs, for any reason, including additional or unusual use of supplemental electric heat.
- Lodging or transportation charges.

**WHETHER ANY CLAIM IS BASED ON NEGLIGENCE OR OTHER TORT, BREACH OF WARRANTY OR OTHER BREACH OF CONTRACT, OR ANY OTHER THEORY, NEITHER GOODMAN NOR ANY OF ITS AFFILIATES SHALL IN ANY EVENT BE LIABLE FOR INCIDENTAL OR CONSEQUENTIAL DAMAGES, INCLUDING BUT NOT LIMITED TO LOST PROFITS, LOSS OF USE OF A CONTROL, EXTRA UTILITY EXPENSES, OR DAMAGES TO PROPERTY.**

Some states and provinces do not allow the exclusion or limitation of incidental or consequential damages, so the above exclusion may not apply to you.

#### **How Can The Owner Receive Warranty Service?**

If there is a problem with the control, contact a licensed contractor. To receive a replacement control, a licensed contractor must bring the defective control to a Goodman heating and air conditioning products distributor.

For more information about the warranty, contact Consumer Affairs at 877-254-4729 or write to Consumer Affairs, 19001 Kermier Rd, Waller, TX 77484.

This warranty gives you specific legal rights, and you may also have other rights that vary from state to state or province to province.

#### **Quebec Residents**

The arbitration provisions of this warranty shall not apply to residents of Quebec.

#### **Non-Owner Occupied Warranty**

Products installed in non-residential buildings or in residences not occupied by the owner are warranted for a period of 1 YEAR. **THIS WARRANTY IS PROVIDED IN LIEU OF ANY OTHER WARRANTIES, WHETHER BY GOODMAN OR ANY OF ITS AFFILIATES, EXPRESS OR IMPLIED, INCLUDING ANY IMPLIED WARRANTY OF MERCHANTABILITY OR FITNESS FOR A PARTICULAR PURPOSE.** Subject to the additional limitations set forth in this paragraph, all other provisions of the Limited Warranty apply to products installed in non-residential buildings or in residences not occupied by the owner.

#### **Where Can Any Legal Remedies Be Pursued?**

ARBITRATION CLAUSE. IMPORTANT. PLEASE REVIEW THIS ARBITRATION CLAUSE. IT AFFECTS YOUR LEGAL RIGHTS.

1. Parties: This arbitration clause affects your rights against Goodman and any of its affiliates or employees or agents, successors, or assigns, all of whom together are referred to below as "we" or "us" for ease of reference.
2. **ARBITRATION REQUIREMENT: EXCEPT AS STATED BELOW, ANY DISPUTE BETWEEN YOU AND ANY OF US SHALL BE DECIDED BY NEUTRAL, BINDING ARBITRATION RATHER THAN IN COURT OR BY JURY TRIAL.** "Dispute" will be given the broadest possible meaning allowable by law. It includes any dispute, claim, or controversy arising from or relating to your purchase of this control, any warranty upon the unit, or the unit's condition. It also includes determination of the scope or applicability of this Arbitration Clause. The arbitration requirement applies to claims in contract and tort, pursuant to statute, or otherwise.

- 3. CLASS-ARBITRATION WAIVER: ARBITRATION IS HANDLED ON AN INDIVIDUAL BASIS. IF A DISPUTE IS ARBITRATED, YOU AND WE EXPRESSLY WAIVE ANY RIGHT TO PARTICIPATE AS A CLASS REPRESENTATIVE OR CLASS MEMBER ON ANY CLASS CLAIM YOU MAY HAVE AGAINST US OR WE AGAINST YOU, OR AS A PRIVATE ATTORNEY GENERAL OR IN ANY OTHER REPRESENTATIVE CAPACITY. YOU AND WE ALSO WAIVE ANY RIGHT TO CLASS ARBITRATION OR ANY CONSOLIDATION OF INDIVIDUAL ARBITRATIONS.**
4. Discovery and Other Rights: Discovery and rights to appeal in arbitration are generally more limited than in a lawsuit. This applies to both you and us. Other rights that you or we would have in court may not be available in arbitration. Please read this Arbitration Clause and consult the rules of the arbitration organizations listed below for more information.
5. SMALL CLAIMS COURT OPTION: YOU MAY CHOOSE TO LITIGATE ANY DISPUTE BETWEEN YOU AND ANY OF US IN SMALL CLAIMS COURT, RATHER THAN IN ARBITRATION, IF THE DISPUTE MEETS ALL REQUIREMENTS TO BE HEARD IN SMALL CLAIMS COURT.
6. Governing Law: For residents of the United States, the procedures and effect of the arbitration will be governed by the Federal Arbitration Act (9 U.S.C. § 1 et seq.) rather than by state law concerning arbitration. For residents of Canada, the procedures and effect of the arbitration will be governed by the applicable arbitration law of the province in which you purchased your control. The law governing your substantive warranty rights and other claims will be the law of the state or province in which you purchased your control. Any court having jurisdiction may enter judgment on the arbitration award.
7. Rules of the Arbitration: If the amount in controversy is less than \$250,000, the arbitration will be decided by a single arbitrator. If the amount in controversy is greater than or equal to \$250,000, the arbitration will be decided by a panel of three arbitrators. The arbitrator(s) will be chosen pursuant to the rules of the administering arbitration organization. United States residents may choose the American Arbitration Association (1633 Broadway, 10th Floor, New York, NY 10019, [www.adr.org](http://www.adr.org)), JAMS (1920 Main Street, Ste. 300, Irvine, CA 92614, [www.jamsadr.com](http://www.jamsadr.com)), or, subject to our approval, any other arbitration organization. In addition, Canadian residents may choose the ADR Institute of Canada (234 Eglinton Ave. East, Suite 405, Toronto, Ontario, M4P 1K5, [www.amic.org](http://www.amic.org)). These organizations' rules can be obtained by contacting the organization or visiting its website. If the chosen arbitration organization's rules conflict with this Arbitration Clause, the provisions of this Arbitration Clause control. The award of the arbitrator(s) shall be final and binding on all parties.
8. Location of the Arbitration Hearing: Unless applicable law provides otherwise, the arbitration hearing for United States residents will be conducted in the federal judicial district in which you reside or, for Canadian residents, in the province in which you reside.
9. Costs of the Arbitration: Each party is responsible for its own attorney, expert, and other fees unless applicable law requires otherwise. Goodman will pay your share of the fees charged by the arbitration organization and arbitrator(s) beyond the first \$200. Where permissible by law, you may be required to reimburse Goodman for the fees of the arbitration organization and arbitrator(s) in whole or in part by decision of the arbitrator(s) at the discretion of the arbitrator(s).
10. Survival and Enforceability of this Arbitration Clause: This Arbitration Clause shall survive the expiration or termination, or any transfer, of the warranty on your control. If any part of this Arbitration Clause, except waivers of class-action rights, is found to be unenforceable for any reason, the remainder of this clause and the warranty shall remain enforceable. If, in a case in which class-action allegations have been made, the waiver of class-action rights under this warranty is found to be unenforceable with respect to any part of the dispute, the parts of the dispute as to which the waiver of class-action rights have been found unenforceable will be severed and will proceed in court without reference or application of this Arbitration Clause. Any remaining parts will proceed in arbitration.



Part No. PWCSTATPLUS



Innovation, Science and Economic Development Canada  
ICES-003 Compliance Label: CAN ICES-3 (B)/NM8-3(B)

**PROSTAT<sup>+</sup>**  
OEM SERIES

rev. 4 05/06/2021 88-1437